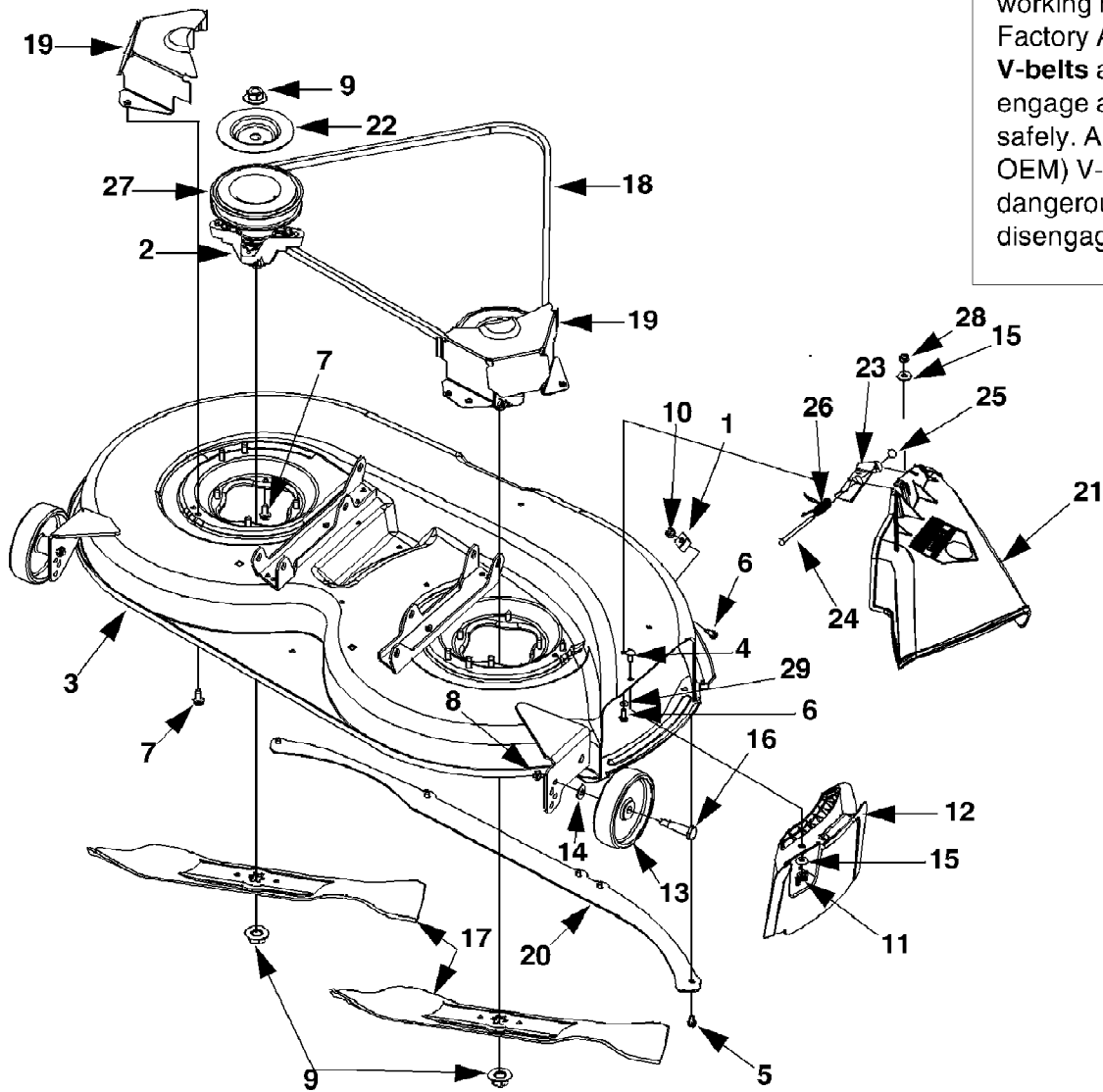


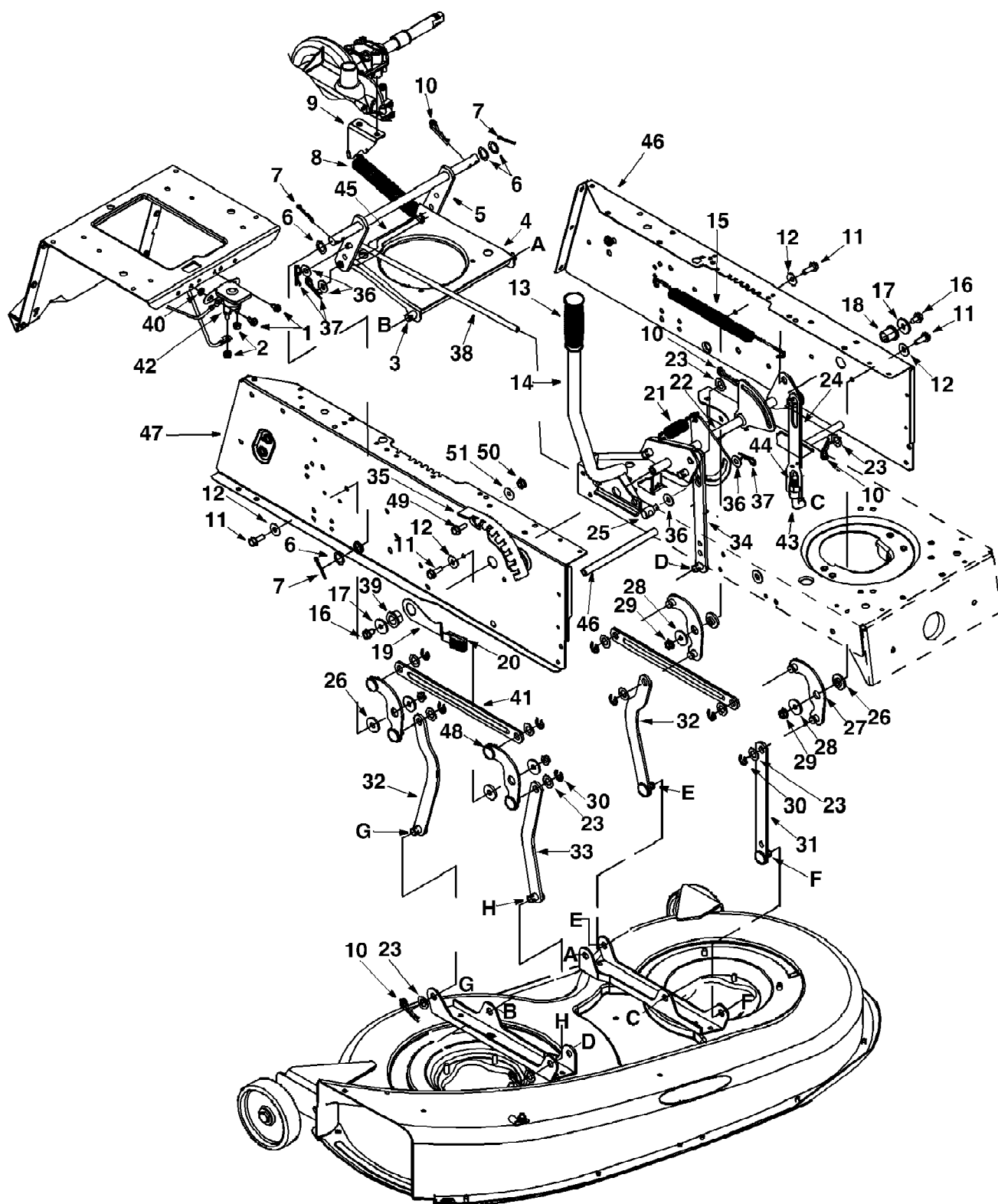
IMPORTANT: For a proper working machine, use Factory Approved Parts. **V-belts** are designed to engage and disengage safely. A substitute (non OEM) V-belt can be dangerous by not disengaging completely.



13AA692G190 LT-135 (2002)
42" Deck Assembly

Page 2 of 20

| Ref # | Part Number | Qty | S/P/F | Description |
|-------|-------------|-----|-------|---|
| 1 | 16606 | 1 | S | Retainer Hook Brkt. |
| 2 | 618-0142A | 1 | S | Blade Spindle Ass'y |
| 3 | 683-0141B | 1 | S/F | 42" Deck Assembly |
| | 753-0698 | 1 | /P/F | 42" Deck Ass'y Comp. (For Service) |
| 4 | 710-0134 | 1 | /P | Carriage Bolt 1/4-20 Lg. |
| 5 | 710-0599 | 1 | /P | Hex Wash. Hd. TT-Tap Screw 1/4-20 Thd. |
| 6 | 710-0751 | 1 | /P | Hex Bolt 1/4-20 x .62" |
| 7 | 710-1260A | 1 | /P | Hex Wash. TT-Tap Scr. 5/16-18 x .75" |
| 8 | 712-0181 | 1 | S | Jam Nut 3/8-16 |
| 9 | 712-0417A | 1 | /P/F | Hex Flange Nut 5/8-18 Thd. |
| 10 | 712-3027 | 1 | S | Hex Flange Nut 1/4-20 Thd. |
| 11 | 712-3087 | 1 | /P | WIng Nut 1/4-20 Optional |
| 12 | 731-2363 | 1 | /P | Mulch Plug Optional |
| 13 | 734-0973 | 1 | /P | Deck Wheel-5" |
| 14 | 736-0105 | 1 | /P | Bell-Wash. .40" I.D. x .88" O.D. |
| 15 | 736-0270 | 1 | /P | Bell-Wash. 1/4 I.D. Optional |
| 16 | 738-0373 | 1 | S | Shoulder Screw |
| 17 | 742-0616 | 1 | S | 3 in 1 blade |
| | 742-0656 | 1 | S | 2 in 1 blade (For bagging and side dischrg) |
| 18 | 754-0371A | 1 | S | V Belt |
| 19 | 783-0149B | 1 | /P | Belt Guard |
| 20 | 783-1146A | 1 | S | Deck Skirt |
| 21 | 731-1032B | 1 | S | Chute Ass'y (Incl. Ref. 23,24,25,26) |
| | 731-1031B | 1 | | Chute Deflector |
| 22 | 783-0342 | 1 | S | Brake Disc. |
| 23 | 703-1693A | 1 | /P | Hinge Mounting Brkt. |
| 24 | 711-0792 | 1 | S | Hinge Pin |
| 25 | 726-0106 | 1 | S | Speed Nut Cap |
| 26 | 732-0602A | 1 | /P | Torsion Spring |
| 27 | 756-1188 | 1 | F | 5.75" Dia. Pulley |
| 28 | 712-3006 | 1 | /P | Hex Nut 1/4-20 Gr. 5 |
| 29 | 726-0233 | 1 | /P | Push Nut |



13AA692G190 LT-135 (2002)
Deck Lift Assembly

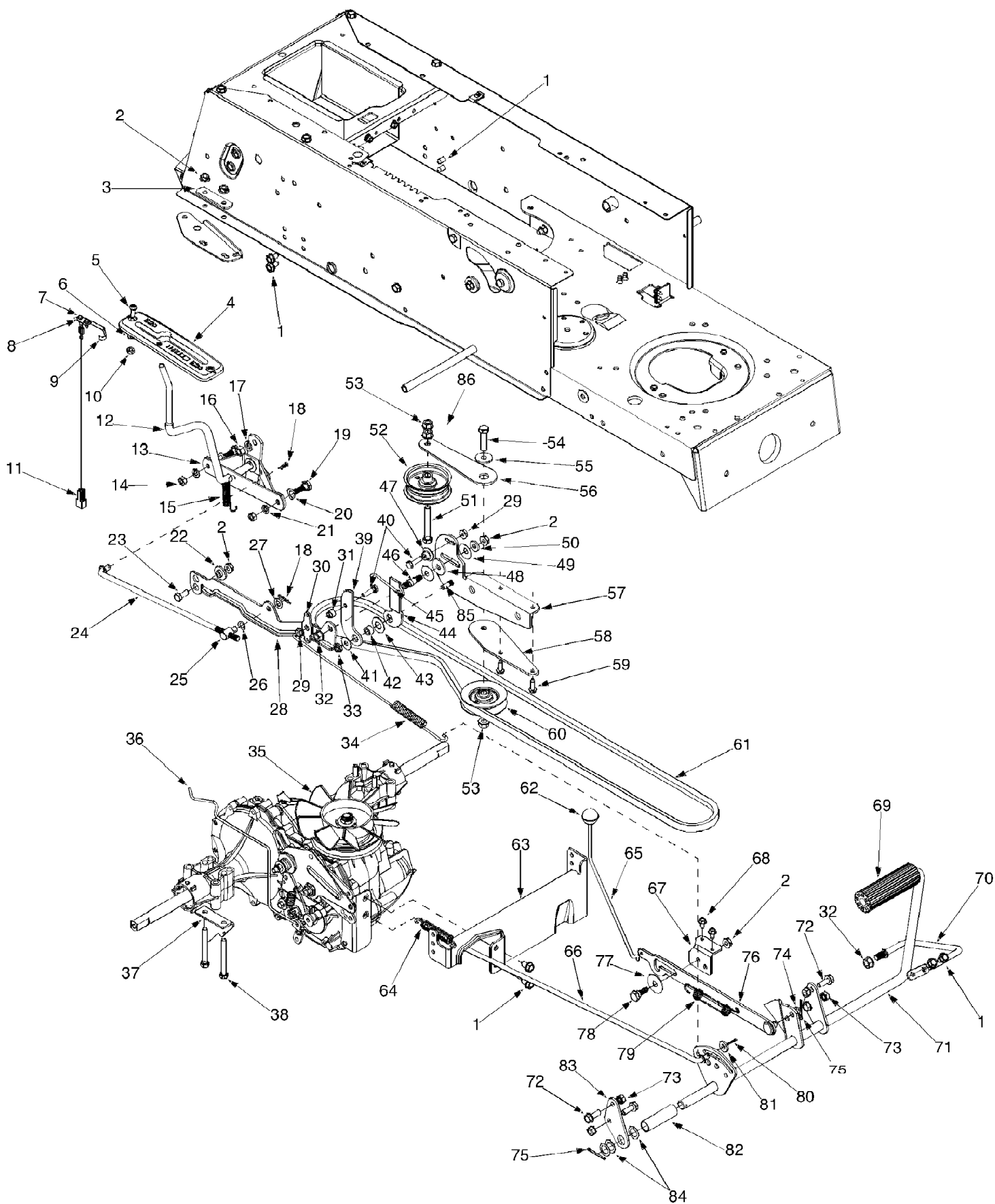
Page 4 of 20

| Ref # | Part Number | Qty | S/P/F | Description |
|-------|-------------|-----|-------|---|
| 1 | 710-0599 | 1 | /P | Self Tap Screw 1/4-20 x .50" Lg. |
| 2 | 712-0271 | 1 | /P | Sems Hex Nut 1/4-20 |
| 3 | 738-0670A | 1 | /P | Shaft 1/2" Dia. x 10.50" Lg. |
| 4 | 17636D | 1 | S | Stablizer Bracket |
| 5 | 17624 | 1 | S | Stablizer Shaft Assembly |
| 6 | 736-0256 | 1 | S | FI-Wash. .635 I.D. x .930 I.D. |
| 7 | 714-0470 | 1 | S | Cotter Pin 1/8" Dia. |
| 8 | 732-0556 | 1 | S | Extension Spring 7.58" Lg. |
| 9 | 17128A | 1 | S | Spring Retainer Brkt. |
| 10 | 714-0147 | 1 | | Cotter Pin |
| 11 | 710-1238 | 1 | /P | TT-Tap Scr. 5/16-18 x .75" Lg. |
| 12 | 736-0425 | 1 | S | Bell-Wash. .325" I.D. |
| 13 | 720-0233 | 1 | S | Grip (Lift Handle) |
| 14 | 17675A | 1 | S | Deck Lift Handle Ass'y |
| 15 | 732-0638 | 1 | | Extension Spring |
| 16 | 710-0604A | 1 | /P | TT-Tap Scr. 5/16-18 x .625" Lg. |
| 17 | 736-0231 | 1 | S | FI-Wash. .344 I.D. x 1.25 O.D. |
| 18 | 741-0487A | 1 | S | Flange Bearing .632 I.D. |
| 19 | 683-0003 | 1 | S | Hgt. Adj. Stop Lever Ass'y (Incl. #20); Optional |
| 20 | 08540 | 1 | /P | Knob Optional |
| 21 | 732-0637 | 1 | S | Extension Spring |
| 22 | 17637A | 1 | | Lift Shaft Assembly |
| 23 | 736-0160 | 1 | S | FI-Wash. .53 I.D. x .93 O.D. |
| 24 | 17712 | 1 | S | Adjustable Deck Lift Link |
| 25 | 711-0723A | 1 | S | Ferrule 3/8-24 x .375 Dia. |
| 26 | 748-0331 | 1 | S | Shoulder Spacer .318" Dia. |
| 27 | 683-0029A | 1 | S | Pivot Link Ass'y -L.H. |
| 28 | 736-0231 | 1 | S | FI-Wash. .344 I.D. x .125 O.D. |
| 29 | 712-3004A | 1 | /P | Flange L-Nut 5/16-18 Gr. 5 |
| 30 | 716-0104 | 1 | S | "E" Ring |
| 31 | 14804A | 1 | | Deck Hanger Link Ass'y |
| 32 | 17710 | 1 | S | Deck Hanger Link Ass'y |
| 33 | 14800A | 1 | S | Deck Hanger Link Ass'y |
| 34 | 14802A | 1 | S | Link Deck Lift Ass'y |
| 35 | 17730 | 1 | S | Index Brkt. |
| 36 | 736-0267 | 1 | S | FI-Wash. |
| 37 | 714-0145 | 1 | S | Hairpin Clip |
| 38 | 747-0598 | 1 | | Deck Belt Disengagement Rod |
| 39 | 748-0176 | 1 | | Flange Bearing .83 I.D. x .62 O.D. Optional |
| 40 | 736-0222 | 1 | S | L-Wash. |
| 41 | 783-0103 | 1 | S | Connecting Rod |
| 42 | 725-1426 | 1 | S | Solenoid |
| 42 | 711-0841 | 1 | S | Lift Link Adjuster |
| 43 | 712-3066 | 1 | S | Hex Nut 1/2-20 Thd. (Gr. 5) |
| 44 | 738-0669 | 1 | | Shaft 3/8" Dia. x 9.34" Lg. |
| 45 | 738-0526 | 1 | | Running Board Rod |
| 46 | 783-0043B | 1 | | Upper Frame L.H. |
| 47 | 783-0042D | 1 | /P | Upper Frame R.H. |
| 48 | 683-0028A | 1 | | Pivot Link Assembly- R.H. |
| 49 | 710-3008 | 1 | /P | Hex Bolt 5/16-18 x .75" Lg. |
| 50 | 712-3010 | 1 | S | Hex Nut 5/16-18 Thd. |

13AA692G190 LT-135 (2002)
Deck Lift Assembly

| Ref # | Part Number | Qty | S/P/F | Description |
|-------|-------------|-----|-------|------------------------|
| 51 | 736-0119 | 1 | S | Lock Washer 5/16" I.D. |

13AA692G190 LT-135 (2002)
Drive & Pedal Assembly



13AA692G190 LT-135 (2002)
Drive & Pedal Assembly

Page 7 of 20

| Ref # | Part Number | Qty | S/P/F | Description |
|-------|-------------|-----|-------|----------------------------------|
| 1 | 710-0604A | 1 | /P | Hex Washer Screw 5/16-18 x .625 |
| 2 | 712-3004A | 1 | /P | Flange Lock Nut 5/16-18 |
| 3 | 17840 | 1 | S | Transaxle Mounting Brkt. |
| 4 | 731-1734 | 1 | S | Hydro Bracket Indicator |
| 5 | 710-0924 | 1 | /P | Machine Screw 1/4-20 x .75 |
| 6 | 736-0329 | 1 | S | Lock Washer 1/4 |
| 7 | 710-0227 | 1 | /P | Hex Washer Screw #8-18 x .50 |
| 8 | 726-0320 | 1 | S | Insulator Nut Plate |
| 9 | 725-1713 | 1 | | Spring Switch |
| 10 | 712-3006 | 1 | /P | Hex Nut 1/4-20 |
| 11 | 725-1399 | 1 | | Wire Assembly |
| 12 | 647-0008A | 1 | /P | Control Speed Lever Assembly |
| 13 | 783-0122 | 1 | | Speed Bracket Control |
| 14 | 712-3010 | 1 | S | Hex Nut 5/16-18 |
| 15 | 732-0433 | 1 | | Spring Extension |
| 16 | 712-0241 | 1 | /P | Hex Nut 3/8-24 |
| 17 | 736-0169 | 1 | S | Lock Washer 3/8 |
| 18 | 714-0104 | 1 | S | Cotter Pin |
| 19 | 738-0296 | 1 | S | Shoulder Screw |
| 20 | 736-0141 | 1 | S | Spring Washer 7/16 x .740 |
| 21 | 736-0119 | 1 | S | Lock Washer 5/16 |
| 22 | 748-0234 | 1 | /P | Shoulder Spacer |
| 23 | 710-3008 | 1 | /P | Hex Cap Screw 5/16-18 x .75 |
| 24 | 747-1276A | 1 | | Engage Rod 12.75 Lg. |
| 25 | 711-0832 | 1 | S | Ferrule |
| 26 | 736-0413 | 1 | /P | Spring Washer |
| 27 | 736-0185 | 1 | S | Flat Washer .375 ID x .738 OD |
| 28 | 783-1314 | 1 | | Return Neutral Bracket |
| 29 | 712-3027 | 1 | S | Hex Lock Nut 1/4-20 |
| 30 | 783-0096 | 1 | | Neutral Return Lever |
| 31 | 748-0368 | 1 | | Shoulder Spacer |
| 32 | 712-0431 | 1 | S | Flange Lock Nut 3/8-16 |
| 33 | 712-0273 | 1 | S | Hex Lock Nut 5/16-24 |
| 34 | 732-0727 | 1 | S | Neutral Return Spring |
| 35 | 731-1449A | 1 | S | Blade Fan |
| 36 | 747-1277A | 1 | S | Hydro Bypass Rod |
| 37 | 17994 | 1 | S | Transaxle Spring Retainer Brkt. |
| 38 | 710-0176 | 1 | /P | Hex Cap Screw 5/16-18 x 2.75 |
| 39 | 783-0092 | 1 | | Flat Scissor |
| 40 | 710-0299 | 1 | | Hex Cap Screw 1/4-28 x 1.0 |
| 41 | 736-0159 | 1 | S | Washer |
| 42 | 750-0808 | 1 | /P | Spacer .340 ID x .560 OD |
| 43 | 736-0414 | 1 | S | Flat Washer .570 ID x 1.20 OD |
| 44 | 783-0093 | 1 | | Offset Scissors |
| 45 | 747-0887 | 1 | | Neutral Return Rod |
| 46 | 738-1170 | 1 | | Friction Stud |
| 47 | 750-0918 | 1 | | Spacer |
| 48 | 761-0196 | 1 | S | Friction Wsher .385 ID x 1.13 OD |
| 49 | 736-0219 | 1 | S | Bell Washer .39 ID x 1.13 OD |
| 50 | 736-3008 | 1 | S | Flat Washer .344 ID x .750 OD |
| 51 | 710-0859 | 1 | /P | Hex Cap Screw 3/8-16 x 2.50 |
| 52 | 756-0981A | 1 | S | Flat Idler Pulley |
| 53 | 712-0431 | 1 | S | Flange Lock Nut 3/8-16 |

13AA692G190 LT-135 (2002)
Drive & Pedal Assembly

Page 8 of 20

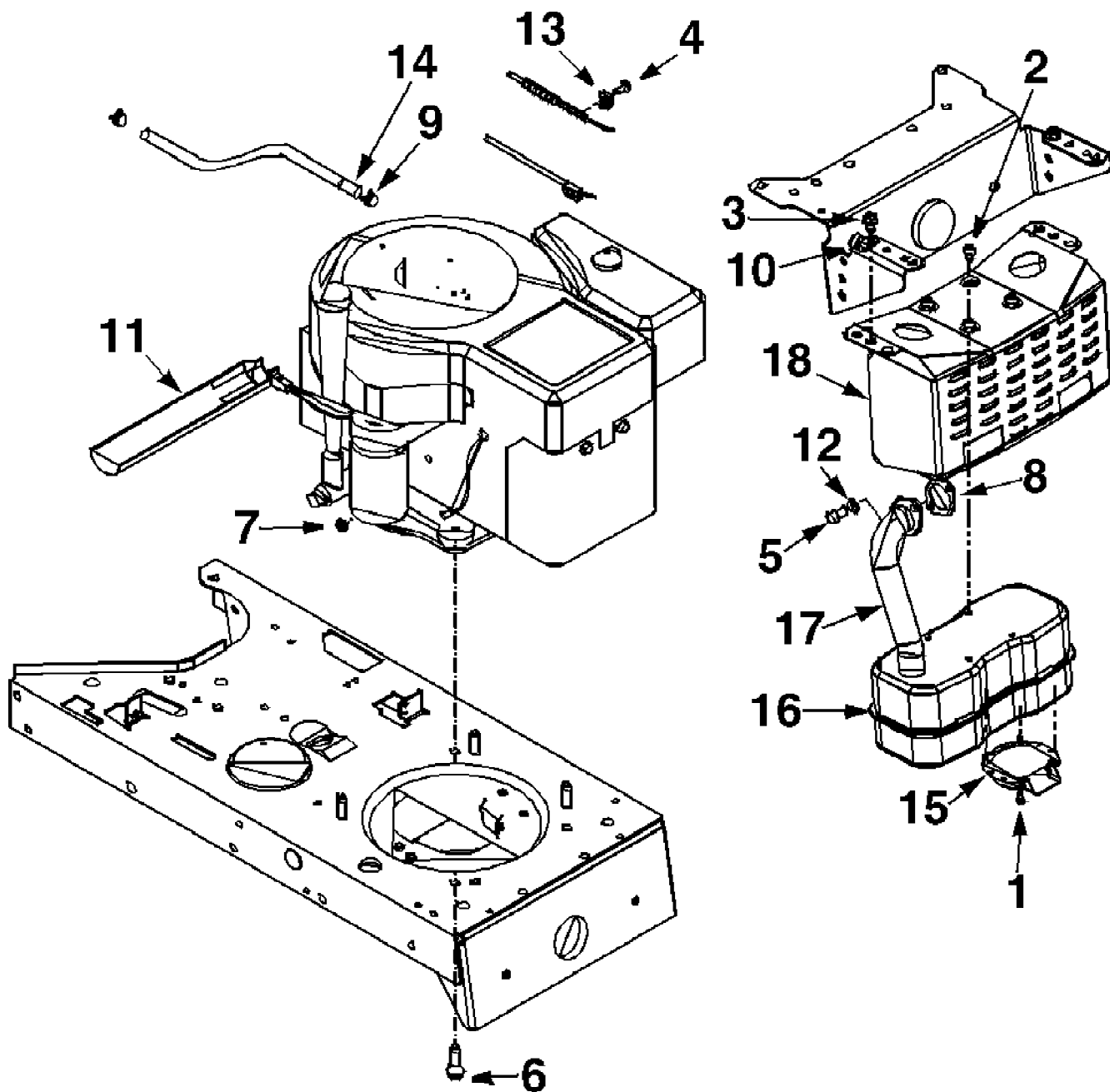
| Ref # | Part Number | Qty | S/P/F | Description |
|-------|-------------|-----|-------|-------------------------------------|
| 54 | 710-0347 | 1 | /P | Hex Cap Screw 3/8-16 x 1.5 |
| 55 | 738-0347 | 1 | S | Shoulder Spacer .625 OD |
| 56 | 783-1313 | 1 | S | Flat Idler Bracket |
| 57 | 783-0095 | 1 | | Return Neutral Mounting Brkt. |
| 58 | 783-1315 | 1 | S | Idler Bracket |
| 59 | 710-0642 | 1 | /P | Hex Washer Screw 1/4-20 x .75 |
| 60 | 756-0116 | 1 | S | Idler Pulley |
| 61 | 754-0338 | 1 | S | Belt |
| 62 | 720-0166 | 1 | /P | Ball Knob |
| 63 | 783-1312 | 1 | S | Hydro Trans Bracket |
| 64 | 732-0716 | 1 | S | Extension Spring .59 OD x 4.0 |
| 65 | 747-0608A | 1 | S | Lockout Brake Rod |
| 66 | 747-1274 | 1 | | Brake Rod 22.25 Lg. |
| 67 | 17755A | 1 | | Hydro Bracket |
| 68 | 710-0599 | 1 | /P | Hex Washer Screw 1/4-20 x .5 |
| 69 | 735-0196 | 1 | S | Foot Pad |
| 70 | 747-1216 | 1 | | Stop Rod 3/8 |
| 71 | 683-0123 | 1 | | Brake Clutch Pedal Assembly |
| 72 | 710-1238 | 1 | /P | Hex Washer Screw 5/16-18 x .875 |
| 73 | 712-0265 | 1 | /P | Nut 5/16-18 |
| 74 | 736-0140 | 1 | S | Flat Washer .385 ID x .62 OD |
| 75 | 714-0470 | 1 | S | Cotter Pin |
| 76 | 683-0049 | 1 | S | Lockout Bracket Assembly |
| 77 | 736-0406 | 1 | S | Flat Washer .442 ID x 1.38 OD |
| 78 | 738-0296 | 1 | S | Shoulder Screw .437 x .286 Lg. |
| 79 | 732-0728 | 1 | | Extension Spring 4.31 Lg. |
| 80 | 714-0111 | 1 | S | Cotter Pin |
| 81 | 736-3008 | 1 | S | Flat Washer .344 ID x .750 OD |
| 82 | 750-0802 | 1 | | Spacer .640 ID x .760 OD |
| 83 | 17860 | 1 | S | Pedal Mounting Brkt. |
| 84 | 736-0256 | 1 | S | Flat Washer .635 ID x .930 OD |
| 85 | 710-1012 | 1 | /P | Bolt 5/16-24 |
| 86 | 732-0384 | 1 | S | Extension Spring .62 Dia. x 6.12 Lg |

13AA692G190 LT-135 (2002)
Electrical

Page 10 of 20

| Ref # | Part Number | Qty | S/P/F | Description |
|-------|-------------|-----|-------|-------------------------------|
| ?1 | 629-0305D | 1 | S | Wire Harness w/Lt./Amp./Sw. |
| | 629-0304E | 1 | S | Wire Harness w/o Lt./Amp. Sw. |
| 2 | 725-0634 | 1 | S | Light Switch (Optional) |
| 3 | 725-0925 | 1 | S | Ammeter (Optional) |
| 4 | 725-0963 | 1 | S | Bulb (Optional) |
| 5 | 725-1396 | 1 | S | Ignition Switch |
| 6 | 725-1426 | 1 | S | Solenoid |
| 7 | 725-1643 | 1 | | Safety Switch (Reverse) |
| 8 | 725-1657A | 1 | S | Safety Switch |
| 9 | | 1 | | UNKNOWN |
| 11 | | 1 | | UNKNOWN |

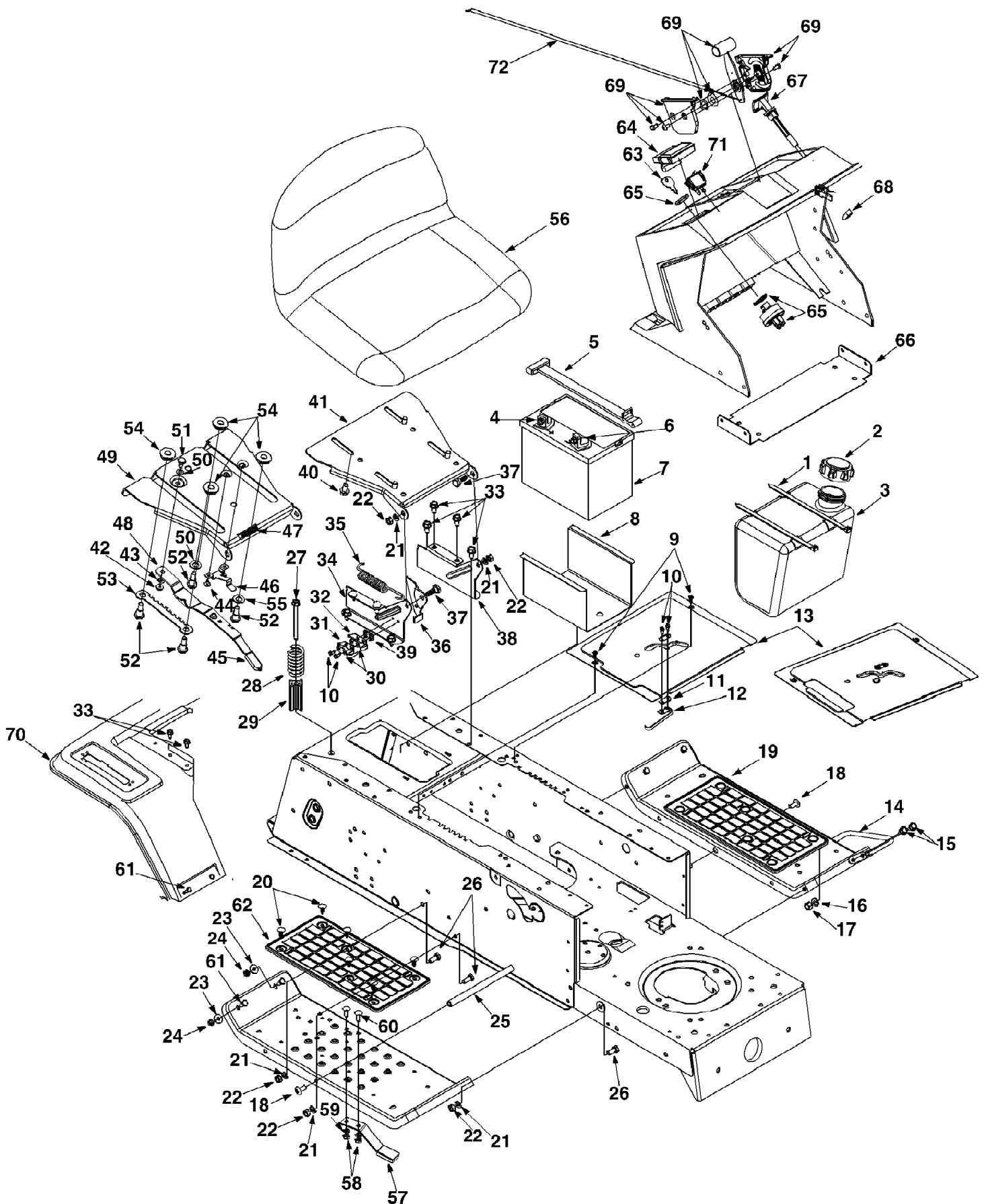
Over Head Valve



13AA692G190 LT-135 (2002)
Engine Accessories

Page 12 of 20

| Ref # | Part Number | Qty | S/P/F | Description |
|-------|-------------|-----|-------|----------------------------------|
| 1 | 710-0148 | 1 | /P | Hex Tap Scr. #8-32 x .38" Lg. |
| 2 | 710-0599 | 1 | /P | Hex TT-Tap Scr. 1/4-20 x .5" Lg. |
| 3 | 710-0604A | 1 | /P | Hex TT-Tap Scr. 5/16-18 x .62" |
| 4 | 710-1237 | 1 | | Hex Wash. Scr. #10-32 x .62" |
| 5 | 710-1314 | 1 | S | Socket Head Scr. 5/16-18 x .62" |
| 6 | 710-1315 | 1 | /P | Hex TT-Tap Scr. 3.8-16 x 1.25" |
| 7 | 712-0271 | 1 | /P | Hex Sems Scr. 1/4-20 |
| 8 | 721-0208 | 1 | S | Gasket |
| 9 | 726-0205 | 1 | /P | Hose Clamp |
| 10 | 726-0272 | 1 | /P | Clamp |
| 11 | 731-1682A | 1 | /P | Oil Drain Sleeve |
| 12 | 736-0119 | 1 | S | Lock Washer 5/16 I.D. |
| 13 | 751B213146 | 1 | /P | Casing Clamp |
| 14 | 751-0535-12 | 1 | S | Fuel Line |
| 15 | 751-0564 | 1 | S | Muffler Deflector |
| 16 | 751-0617 | 1 | S | Muffler |
| 17 | 751-0619 | 1 | S | Exhaust Pipe |
| 18 | 783-0615B | 1 | S | Muffler Brkt. |



13AA692G190 LT-135 (2002)
Fuel Tank, Battery, Seat, General Assembly

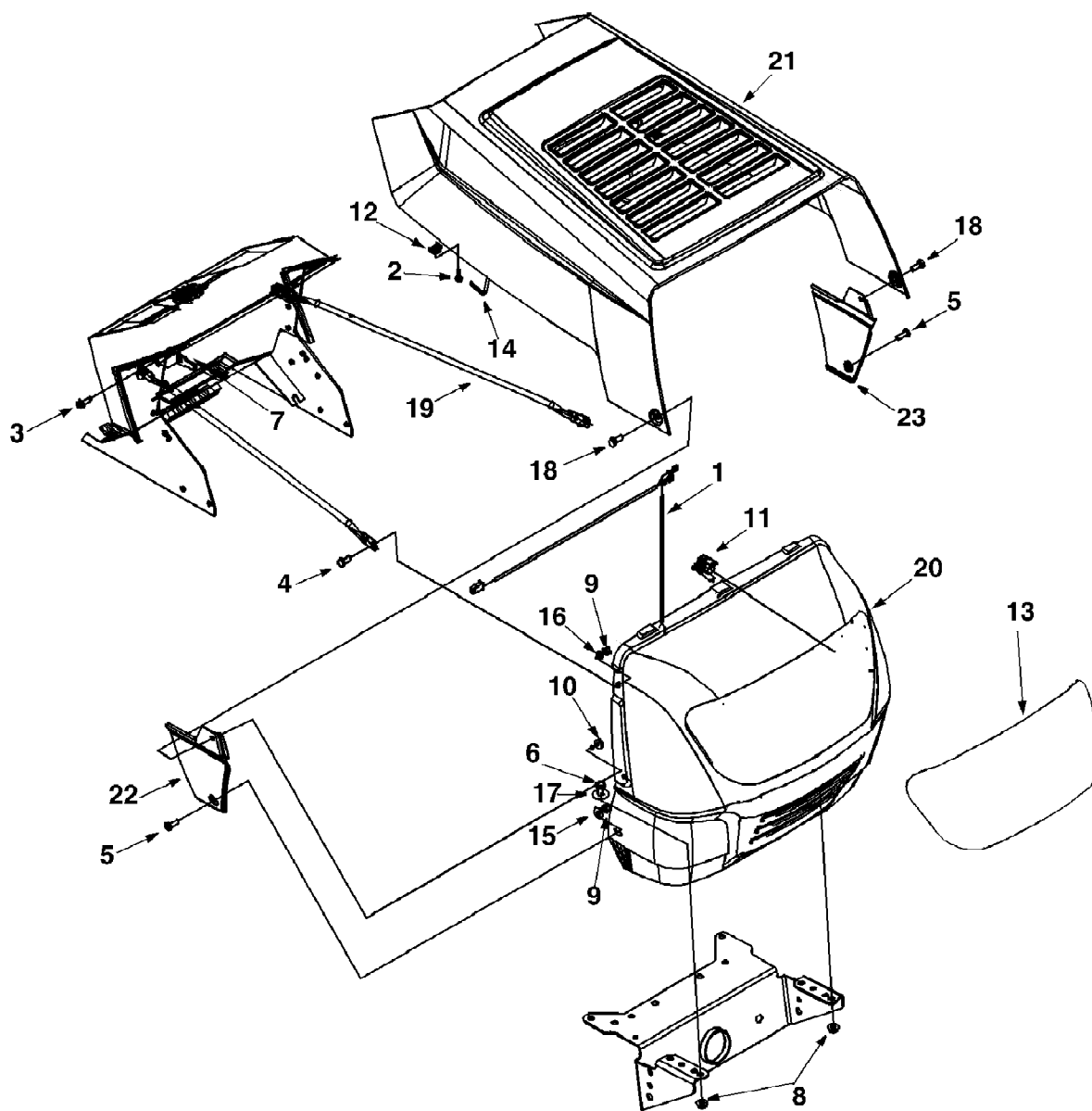
Page 14 of 20

| Ref # | Part Number | Qty | S/P/F | Description |
|-------|-------------|-----|-------|---|
| 1 | 726-0209 | 1 | /P | Cable Tie |
| 2 | 751-0603 | 1 | S | Fuel Cap |
| 3 | 751-0555 | 1 | S | Fuel Tank 1.50 Gal. |
| 4 | 712-0271 | 1 | /P | Sems Hex Nut 1/4-20 Thd. |
| 5 | 723-3064 | 1 | | Battery Strap |
| 6 | 710-3015 | 1 | /P | Hex Hd. Cap Screw 1/4-20 Gr. 5 |
| 7 | 725-1750 | 1 | S | Battery |
| 8 | 783-0345 | 1 | S | Battery Tray |
| 9 | 710-0351 | 1 | /P | Truss Mach. B-Tap Scr. #10 x .5" Lg. |
| 10 | 710-0227 | 1 | /P | Hex AB-Tap Scr. #8 x .50" Lg. |
| 11 | 726-0320 | 1 | S | Insulatop Nut Plate |
| 12 | 725-1643 | 1 | | Reverse Safety Switch |
| 13 | 783-0133B | 1 | /P | Shift Cover |
| 14 | 747-1216 | 1 | | Stop Rod |
| 15 | 710-0604A | 1 | /P | TT-Tap Scr. 5/16-18 x .625" Lg. |
| 16 | 736-0169 | 1 | S | L-Wash. 3/8 |
| 17 | 712-3017 | 1 | S | Hex Nut 3/8-16 Thd. Gr. 8 |
| 18 | 710-0323 | 1 | /P | Truss Mach. Scr. 5/16-18 x .75" |
| 19 | 17770F | 1 | S | Running Board (R.H. & L.H.) |
| 20 | 726-3046 | 1 | /P | Ratchet Clip |
| 21 | 736-0119 | 1 | S | L-Wash. 5/16" I.D. |
| 22 | 712-3010 | 1 | S | Hex Nut 5/16-18 Thd. |
| 23 | 736-0270 | 1 | /P | Bell-Wash. .265" I.D. x .75" O.D. |
| 24 | 712-3006 | 1 | /P | Hex Nut 1/4-20 |
| 25 | 738-0526 | 1 | | Running Board Rod |
| 26 | 710-3008 | 1 | /P | Hex Bolt 5/16-18 x .75" Lg. |
| 27 | 710-1208 | 1 | /P | Hex Tap Scr. 5/16-18 x 3.25" Lg. |
| 28 | 732-0735 | 1 | /P | Compression Spring |
| 29 | 748-0347A | 1 | /P | Spring Spacer |
| 30 | 726-0279 | 1 | | Insulator Plate |
| 31 | 725-1303 | 1 | S | Outer Spring Switch Spring |
| 32 | 725-1439 | 1 | | Inner Spring Switch Spring |
| 33 | 710-0726 | 1 | /P | Hex Wash. AB Scr. 5/16-12 x .75" |
| 34 | 17950A | 1 | S | R. H. Pivot Seat Support Brkt. |
| 35 | 732-0581B | 1 | S | Extension Spring |
| 36 | 17239A | 1 | S | Seat Lift Brkt. |
| 37 | 738-0296 | 1 | S | Shoulder Bolt .437" Dia. x .268" |
| 38 | 17951A | 1 | S | L.H. Pivot Seat Support Brkt. |
| 39 | 726-0278 | 1 | | Insulator Boss Plate |
| 40 | 710-0870 | 1 | /P | Hex Tap Scr. 3/8-16 x .62" Lg. |
| 41 | 783-0039A | 1 | /P | Seat Pivot Brkt. |
| 42 | 712-3027 | 1 | S | Hex Flanged L-Nut 1/4-20 Thd. Optional |
| 43 | 736-0175 | 1 | S | Spring Wash. .265 I.D. x .562 O.D. Optional |
| 44 | 710-1268 | 1 | /P | Hex Wash. Hd. B-Tap Scr. Optional |
| 45 | 720-0309A | 1 | /P | Seat Adj. Grip Optional |
| 46 | 783-0611 | 1 | | Seat Adj. Stop Optional |
| 47 | 732-0499 | 1 | | Compression Spring Optional |
| 48 | 783-0609 | 1 | | Seat Adj. Lever Optional |
| 49 | 783-0607A | 1 | S | Pivot Seat Brkt. Optional |
| 50 | 736-0204 | 1 | /P | FI-Wash. .344 I.D. x .62 O.D. Optional |
| 51 | 738-0137A | 1 | S | Shoulder Bolt .34" x 1/4-20 Thd. Optional |
| 52 | 738-1007 | 1 | | Shoulder Scr. 3/8-16 Optional |
| 53 | 783-0753 | 1 | | Seat Adj. Stop Optional |

13AA692G190 LT-135 (2002)
 Fuel Tank, Battery, Seat, General Assembly

Page 15 of 20

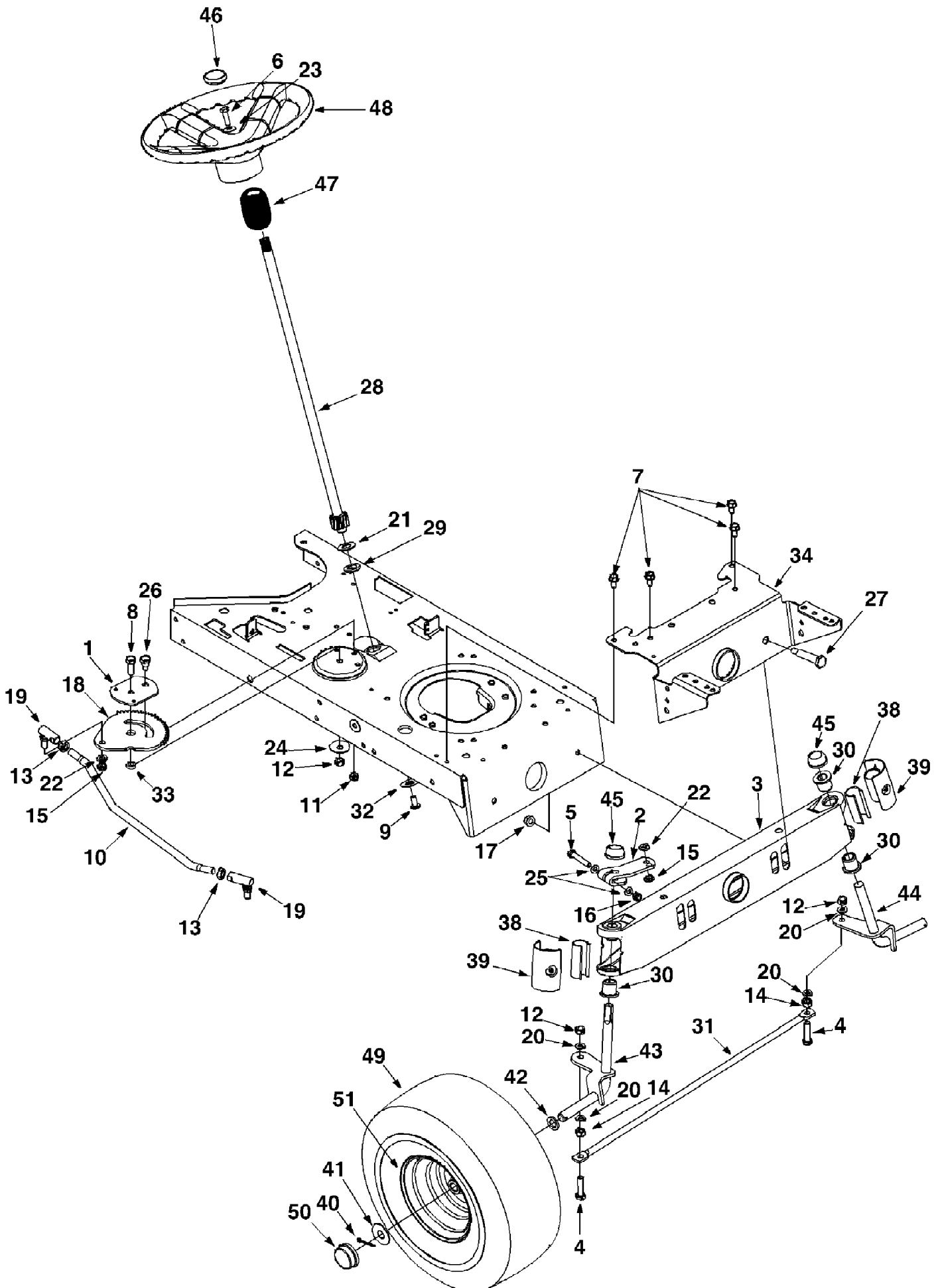
| Ref # | Part Number | Qty | S/P/F | Description |
|-------|-------------|-----|-------|---|
| 54 | 731-1989 | 1 | | Seat Adj. Spacer Optional |
| 55 | 736-0192 | 1 | S | FI-Wash. .344 I.D. x .62 O.D. |
| 56 | 757-0360A | 1 | S | Med. Back Black Seat |
| 57 | 761-0168B | 1 | S | Blade Brake Assembly |
| 58 | 712-3006 | 1 | /P | Hex Nut 1/4-20 Thd. |
| 59 | 736-0329 | 1 | S | L-Wash. 1/4" I.D. |
| 60 | 710-0703 | 1 | /P | Carriage Bolt 1/4-20 x .62" Lg. |
| 61 | 710-0751 | 1 | /P | Hex Hd. Cap Scr. 1/4-20 x .62" Lg. |
| 62 | 735-0689A | 1 | /P | Rubber Foot Pad Optional |
| | 723-0422A | 1 | | Abrasive Foot Pad (Not Shown); Optional |
| 63 | 725-0201 | 1 | S | Ignition Key |
| 64 | 725-0925 | 1 | S | Ammeter Optional |
| 65 | 725-0267 | 1 | S | Ignition Switch |
| 66 | 17632B | 1 | S | Gas Tank Support Brkt. |
| 67 | 746-0616A | 1 | S | Choke Control 23" |
| 68 | 17782 | 1 | | Choke Retainer |
| 69 | 831-0823A | 1 | /P | Throttle Box Ass'y |
| 70 | 17871B | 1 | S | Fender w/Cutout |
| 71 | 725-0634 | 1 | S | Light Switch Optional |
| 72 | 746-0776 | 1 | S | Throttle Control Wire 18.5" |
| | 731-2515 | 1 | | Dash w/Ammeter Hole |
| | 731-1337A | 1 | /P | Dash w/o Ammeter Hole |



13AA692G190 LT-135 (2002)
Hood Assembly

Page 17 of 20

| Ref # | Part Number | Qty | S/P/F | Description |
|-------|-------------|-----|-------|-------------------------------------|
| 1 | 629-0469A | 1 | S | Headlight Harness Assembly |
| 2 | 710-0589 | 1 | /P | Truss. Mach. Scr. #10-24 x .75" |
| 3 | 710-0642 | 1 | /P | Hex TT-Tap Scr. 1/4-20 x .75" Lg. |
| 4 | 710-0751 | 1 | /P | Hex Bolt 1/4-20 x .5/8" Lg. |
| 5 | 710-0924 | 1 | /P | Pan Hd. Mach. Scr. 1/4-20 x .75" |
| 6 | 710-3008 | 1 | /P | Hex Bolt 5/16-18 x .75" Lg. |
| 7 | 712-0185 | 1 | | Speed Nut 1/4-20 Thd. |
| 8 | 712-3004A | 1 | /P | Flange L-Nut 5/16-18 Thd. |
| 9 | 712-3006 | 1 | /P | Hex Sems Nut 1/4-20 Thd. |
| 10 | 712-3027 | 1 | S | Hex Flange L-Nut 1/4-20 Thd. |
| 11 | 725-1651 | 1 | S | Socket |
| 11 | 725-0963 | 1 | S | Lamp Not Shown |
| 12 | 726-0130 | 1 | S | Speed Nut |
| 13 | 731-1503A | 1 | S | Lens |
| 13 | 726-04077 | 1 | | Nut, Push 3/32 Not Shown |
| 14 | 732-0699 | 1 | | Hood Spring |
| 15 | 736-0270 | 1 | /P | Bell Wash. .265" I.D. x .75" O.D. |
| 16 | 736-0329 | 1 | S | L-Wash. 1/4" I.D. |
| 17 | 736-3078 | 1 | /P | FI-Wash. .349" I.D. x 1.0" O.D. |
| 18 | 738-0952A | 1 | S | Shldr Bolt. .375" I.D. x 1.25" O.D. |
| 19 | 749-0722B | 1 | S | Grille Support Rod |
| 20 | 783-0156A | 1 | | Grill |
| 21 | 783-0250 | 1 | | Hood |
| 22 | 783-0366 | 1 | | R.H. Side Panel |
| 23 | 783-0367 | 1 | | L.H. Side Panel |



13AA692G190 LT-135 (2002)
Steering, Front Wheels, Axle

Page 19 of 20

| Ref # | Part Number | Qty | S/P/F | Description |
|-------|-------------|-----|-------|--|
| 1 | 17198A | 1 | S | Retainer Plate |
| 2 | 16481A | 1 | S | Steering Arm Front Axle |
| 3 | 683-0128A | 1 | S | Pivot Bar Ass'y |
| 4 | 710-0459A | 1 | /P | Hex Bolt 3/8-24 x 1.5" Lg. (Gr. 5) |
| 5 | 710-0593 | 1 | | Hex Bolt 5/16-24 x 2.25" Lg. |
| 6 | 710-0643 | 1 | /P | Hex Bolt 5/16-18 x 1" Lg. |
| 7 | 710-0726 | 1 | /P | Hex Wash. Hd. Self-Tap Scr. |
| 8 | 710-1039 | 1 | /P | Hex Hd. Cap Scr. 3/8-24 x 1.0 Gr. 5 |
| 9 | 710-1309 | 1 | /P | Hex Patch Bolt 5/16-18 x .62" |
| 10 | 747-1268A | 1 | S | Steering Drag Link (Requires one Ball Joint) |
| | 741-0475 | 1 | S | Plastic Bushing (Not Shown) |
| | 712-3004A | 1 | /P | 5/16 Nut (Not Shown) |
| 11 | 712-0158 | 1 | S | Hex Cent. L-Nut 5/16-18 Thd. |
| 12 | 712-0214 | 1 | S | Hex Cent. L-Nut 3/8-24 Thd. |
| 13 | 712-0240 | 1 | S | Jam Nut 7/16-20 Gr. 2 |
| 14 | 712-0241 | 1 | /P | Hex Nut 3/8-24 Gr.5 |
| 15 | 712-0262 | 1 | /P | Hex Jam Nut 3/8-24 Thd. |
| 16 | 712-0411 | 1 | S | Hex L-Nut 5/16-24 Thd. |
| 17 | 712-0431 | 1 | S | Flanged L-Nut 3/8-16 Thd. |
| 18 | 717-1757 | 1 | S | Steering Gear Segment |
| 19 | 723-0448A | 1 | S | Ball Joint 7/16-20 Thd. |
| 20 | 736-0169 | 1 | S | L-Wash. 3.8" I.D. |
| 21 | 736-0187 | 1 | /P | FI-Wash. (Hardened) |
| 22 | 736-0217 | 1 | S | L-Wash. |
| 23 | 736-0242 | 1 | /P | Bell. Wash. .340 I.D. x .872 O.D. |
| 24 | 736-0356 | 1 | S | Bell. Wash. .39 I.D. x 1.38 O.D. |
| 25 | 736-3081 | 1 | | FI-Wash. .320 x .600 x 060 |
| 26 | 738-0141 | 1 | S | Shoulder Bolt .437 x .35 Lg. |
| 27 | 738-0527 | 1 | S | Shoulder Bolt |
| 28 | 738-0919 | 1 | S | Steering Shaft |
| 29 | 741-0656 | 1 | S | Hex Flg. Brg. .634 I.D. |
| 30 | 741-0659 | 1 | S | Hex Flg. Brg. .632 I.D. |
| 31 | 747-0861 | 1 | S | Tie Rod |
| 32 | 748-0389 | 1 | S | Cap |
| 33 | 750-0535 | 1 | S | Spacer .380" I.D. x .625" O.D. |
| 34 | 783-0041B | 1 | /P | Pivot Bar Bracket |
| 38 | 731-1649 | 1 | | Axle Cap |
| 39 | 731-1291A | 1 | S | Pivot Bar End Cap If Equipped |
| 40 | 714-0470 | 1 | S | Cotter Pin |
| 41 | 736-0285 | 1 | /P | FI-Wash. .635 I.D. x 1.589 O.D. |
| 42 | 736-0162 | 1 | /P | FI-Wash. .641 I.D. x 1.0 O.D. |
| 43 | 683-0126 | 1 | S | Front Axle Assembly R.H. |
| 44 | 683-0127 | 1 | S | Front Axle Assembly L.H. |
| 45 | 726-0214 | 1 | /P | Push Cap |
| 46 | 731-0220 | 1 | S | Steering Wheel Cap |
| 47 | 731-0954 | 1 | S | Steering Bellow |
| 48 | 631-0027 | 1 | S | Steering Wheel |
| 49 | | 1 | | Wheel Assembly Comp. See "Front Wheel" items |
| 50 | 731-0484A | 1 | S | Front Wheel Hub Cap |
| 51 | | 1 | | Front Wheel Rim Only See "Front Wheel" items |

13AA692G190 LT-135 (2002)
Steering, Front Wheels, Axle

Page 20 of 20

| Ref # | Part Number | Qty | S/P/F | Description |
|-------|-------------|-----|-------|--|
| | 634-0105A | 1 | S | Wheel Ass'y Comp. (15" x 6" Square Shoulder) Front Wheel Item |
| | 734-1731 | 1 | | Tire Only (15" x 6" Square Shoulder) Front Wheel Item |
| | 634-0172 | 1 | | Rim Only (15" x 6" Square Shoulder) Front Wheel Item |
| | 741-0487A | 1 | S | Bearing (15" x 6" Square Shoulder) Front Wheel Item |
| | 734-0255 | 1 | S | Air Valve (15" x 6" Square Shoulder) Front Wheel Item |
| | 737-0211A | 1 | /P | Grease Fitting (15" x 6" Square Shoulder) Front Wheel Item; (Optional) |
| | 737-0212A | 1 | /P | Grease Plug (15" x 6" Square Shoulder) Front Wheel Item |
| | 683-0127 | 1 | S | Front Axle Ass'y-L.H. (15" x 6" Square Shoulder) Front Wheel Item |
| | 683-0126 | 1 | S | Front Axle Ass'y-R.H. (15" x 6" Square Shoulder) Front Wheel Item |